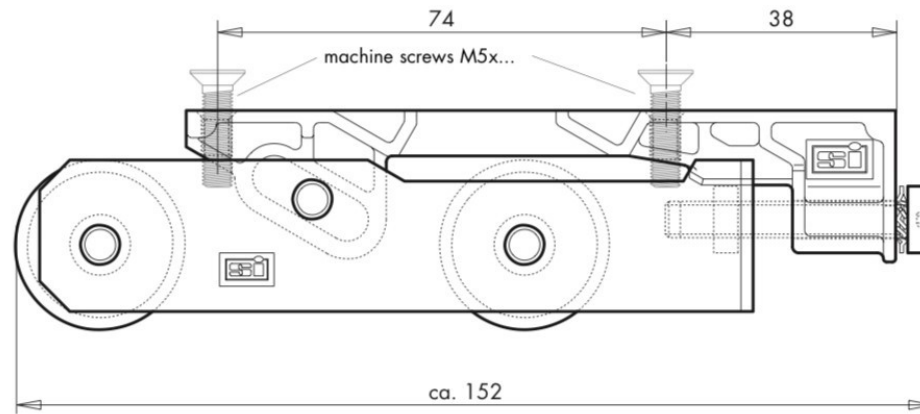


Dimensions in mm



- to suit tracks of radius R 2 – R 2,5 mm
- load capacity max. 150 kg/pair
- ball bearing raced wheels

Materialshorttext	Maß H in mm	VPE	VKE Qty.	Materialnumber	
Roller cs 150 yellow chromated	A0017	30	ET KRT	1 20	824542 217764
	A0023	34	ET KRT	1 20	828311 215425
	A0018	37,5	ET KRT	1 20	828304 217771
	A0008	44,5	ET KRT	1 20	828298 217757
	A0195	49	ET KRT	1 20	PLWD0030-100010 PLWD0030-100030