

HS 356

Product Data Sheet



Description:

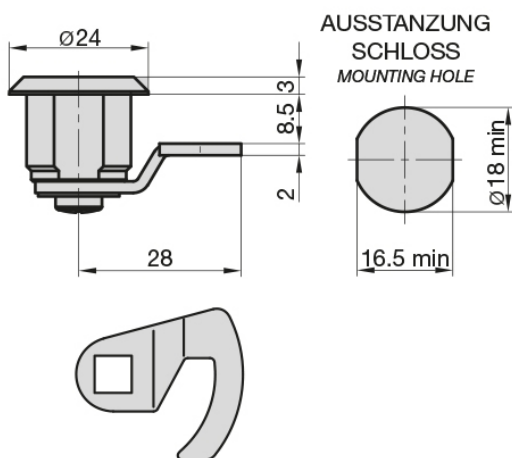
The cam lock HS 356 is suitable for BASI letterboxes.

- includes 2 keys
- material: bright chrome-plated
- with nut for mounting
- keyed different


Illustration:



Technical Details:



Details:

Order no.
9000-1356
Weight
47 g
Pricegroup
14
EAN
 4 026434 107425