

HS 359

Product Data Sheet



Description:

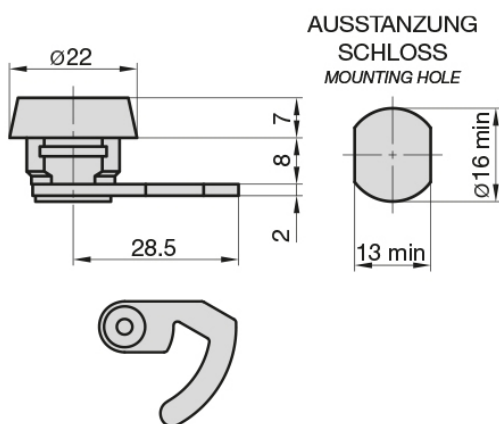
The cam lock HS 359 is ideal for BASI cash box EGK 150. It is equipped with clamp and 2 keys.

- includes 2 keys
- for cash box EGK 150 (2100-0900)
- material: bright chrome-plated
- with clamp for secure mouting
- keyed alike


Illustration:



Technical Details:



Details:

Order no.
9000-1359
Weight
33 g
Pricegroup
14
EAN
 4 026434 107456